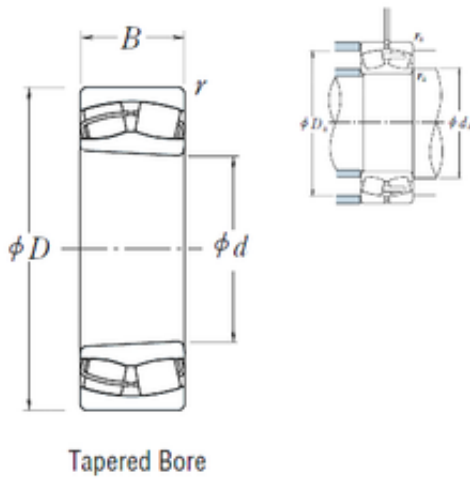




IMPORTED BEARING OF AMERICA CORP.



130 mm x 230 mm x 80 mm 130 mm x 230 mm
x 80 mm NSK 23226CKE4 spherical roller bearings

Bearing No. 23226CKE4

23226CKE4 Bearing 2D drawings and 3D CAD models

Size	130x230x80 mm
Bore Diameter	130 mm
Outer Diameter	230 mm
Width	80 mm
d	130 mm
D	230 mm
B	80 mm
C	80 mm
r min.	3 mm
da min.	144 mm
da max	150 mm
Da min	196 mm
Da max.	216 mm
ra max.	2,5 mm
Weight	14,3 Kg
Basic dynamic load rating (C)	700 kN
Basic static load rating (C0)	1080 kN
(Grease) Lubrication Speed	1200 r/min
(Oil) Lubrication Speed	1600 r/min
Calculation factor (e)	0,34
Calculation factor (Y0)	1,9
Calculation factor (Y2)	2,9
Category	Spherical Roller Bearings
Inventory	0.0
Manufacturer Name	NSK



IMPORTED BEARING OF AMERICA CORP.

Minimum Buy Quantity	N/A
Weight / Kilogram	14.19
EAN	0029176027673
Product Group	B04311
Internal Clearance	C0-Medium
Mounting Method	Adapter Mount
Rolling Element	Spherical Roller Bearing
Bore Profile	Tapered
Cage Material	Steel
Enclosure	Open
Number of Rows of Rollers	Double Row
Relubricatable	Yes
Withdrawal Sleeve	AH3226 (Specify bore)
Inch - Metric	Metric
Long Description	130MM Tapered Bore; 230MM Outside Diameter; 80MM Width; C0-Medium Clearance; Adapter Mount; Double Row of Spherical Roller Bearings; Steel Cage Material; Open Enclosure; Relubricatable; Adapter Part N
Other Features	Order adapter or withdrawal sleeve or nut separately. Others may be available
Category	Spherical Roller Bearing
UNSPSC	31171510
Harmonized Tariff Code	84823080
Noun	Bearing
Keyword String	Spherical
Manufacturer URL	http://www.nskamericas.com
Manufacturer Item Number	23226CKE4
Weight / LBS	14.19



IMPORTED BEARING OF AMERICA CORP.

Width	3.15 Inch 80 Millimeter
Outside Diameter	9.055 Inch 230 Millimeter
Adapter Part Number	SNW126 H2326 HA2326 HE2326 (Specify Bore) Inch H2326 (Specify bore) Millimeter
Bore	5.118 Inch 130 Millimeter
bore diameter:	130 mm
outer ring type:	Not Split
outside diameter:	230 mm
internal clearance:	C0
overall width:	80 mm
lubrication hole type:	Oil Grooves And Holes In Outer Ring
bore type:	Tapered 1:12
cage material:	Bronze
Y3	2
hidYobi	23226CKE4
LangID	1
Y1	1.9
D_	230
Y2	2.9
Macha rpm	0
B_	80
da min	144
hidTable	ecat_NSSPHR
Oil rpm	1600
Y0	1.9
mass	14.3
GRS rpm	1200
ra	2.5
TSR rpm	2000
C0	1080



IMPORTED BEARING OF AMERICA CORP.

DE_	204.754
X0	1
Prod_Type3	SRB_CTB_TB
X1	1
X2	0.67
SIR	32
e	0.34
DA_	25
bomp	23226CKE4
Z_	19
ALP2	50
ALP1	12
ALP3	0
D_a max	216
D_a min	196
yobi	23226CKE4
ALPHA_	0.224
SDM_	180.379
r	3
KBRG	2322
SBRG	32
DI_	156.003