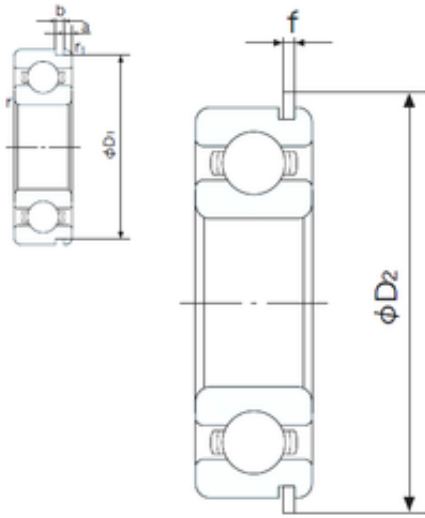




## IMPORTED BEARING OF AMERICA CORP.



17 mm x 30 mm x 7 mm 17 mm x 30 mm x 7 mm NACHI 6903NR deep groove ball bearings

Bearing No. 6903NR

6903NR Bearing 2D drawings and 3D CAD models

Size	17x30x7 mm
Bore Diameter	17 mm
Outer Diameter	30 mm
Width	7 mm
d	17 mm
D	30 mm
B	7 mm
C	7 mm
a	1.3 mm
b	0.95 mm
f	0.85 mm
r min.	0.3 mm
r1 min.	0.3 mm
D1	28.7 mm
D2	32.8 mm
Weight	0.019 Kg
Basic dynamic load rating (C)	4,6 kN
Basic static load rating (C0)	2,55 kN
(Grease) Lubrication Speed	24000 r/min
Bore Type	Cylindrical Bore
Configuration	Single Row
Enclosure	Snap Ring Groove with Snap Ring
Bore Size	17 mm
Outside Diameter	30 mm



## IMPORTED BEARING OF AMERICA CORP.

Width	7 mm
Fillet Radius/Chamfer	0.3 mm
r1	0.3 mm
Snap Ring Width	0.9 mm
Snap Ring Outside Diameter	32.8 mm
D1 (max)	28.7 mm
a (max)	1.3 mm
b (min)	1 mm
Dynamic Load Rating	4,600 N
Static Load Rating	2,550 N
Limiting Speed - Grease	24,000 rpm
Limiting Speed - Oil	29,000 rpm
Factor fo	14.7
Radial Clearance	0.003 to 0.018 mm
da (min)	19 mm
Da (max)	28 mm
Dx (min)	33.5 mm
ra (max)	0.3 mm
Cy (max)	1.8 mm