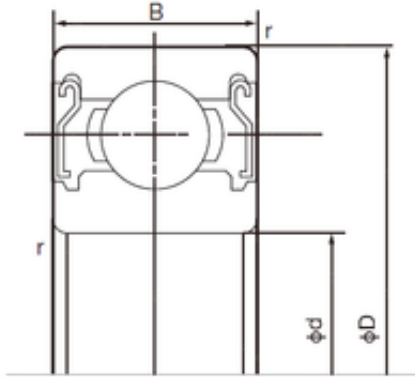




IMPORTED BEARING OF AMERICA CORP.

17 mm x 30 mm x 7 mm 17 mm x 30 mm x 7 mm NACHI 6903ZZE deep groove ball bearings



6903ZZE Bearing 2D drawings and 3D CAD models

Bearing No. 6903ZZE

Size	17x30x7 mm
Bore Diameter	17 mm
Outer Diameter	30 mm
Width	7 mm
d	17 mm
D	30 mm
B	7 mm
C	7 mm
r min.	0.3 mm
da min.	19 mm
Da max.	28 mm
ra max.	0.3 mm
Weight	0.018 Kg
Basic dynamic load rating (C)	4,6 kN
Basic static load rating (C0)	2,55 kN
Category	Single Row Ball Bearings
Inventory	0.0
Manufacturer Name	NACHI
Minimum Buy Quantity	N/A
Weight / Kilogram	0.018
Product Group	B00308
Enclosure	2 Metal Shields
Precision Class	ABEC 1 ISO P0
Maximum Capacity / Filling Slot	No



IMPORTED BEARING OF AMERICA CORP.

Rolling Element	Ball Bearing
Snap Ring	No
Internal Special Features	No
Cage Material	Steel
Internal Clearance	C0-Medium
Inch - Metric	Metric
Long Description	17MM Bore; 30MM Outside Diameter; 7MM Outer Race Width; 2 Metal Shields; Ball Bearing; ABEC 1 ISO P0; No Filling Slot; No Snap Ring; No Internal Special Features; C0-Medium Internal Clearance; Steel
Other Features	Deep Groove
Category	Single Row Ball Bearing
UNSPSC	31171504
Harmonized Tariff Code	8482.10.50.68
Noun	Bearing
Keyword String	Ball
Manufacturer URL	http://www.nachiamerica.com
Weight / LBS	0.04
Outer Race Width	0.276 Inch 7 Millimeter
Bore	0.669 Inch 17 Millimeter
Outside Diameter	1.181 Inch 30 Millimeter
Inner Race Width	0 Inch 0 Millimeter
Bore Type	Cylindrical Bore
Configuration	Single Row
Bore Size	17 mm
Width	7 mm
Fillet Radius/Chamfer	0.3 mm
Dynamic Load Rating	4,600 N
Static Load Rating	2,550 N



IMPORTED BEARING OF AMERICA CORP.

Limiting Speed - Grease	24,000 rpm
Factor f_0	14.7
Radial Clearance	0.003 to 0.018 mm
d_a (min)	19 mm
D_a (max)	28 mm
r_a (max)	0.3 mm