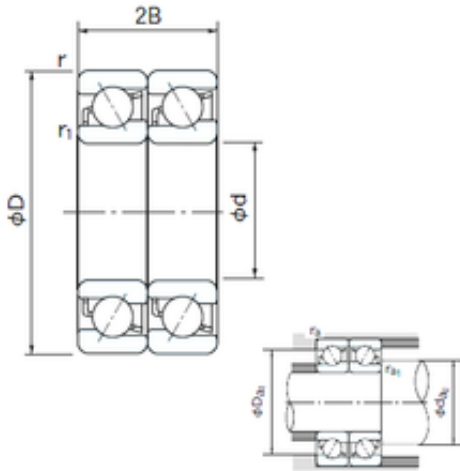




IMPORTED BEARING OF AMERICA CORP.



200 mm x 420 mm x 80 mm 200 mm x 420 mm
x 80 mm NACHI 7340DT angular contact ball
bearings

Bearing No. 7340DT

7340DT Bearing 2D drawings and 3D CAD models

Size	200x420x80 mm
Bore Diameter	200 mm
Outer Diameter	420 mm
Width	80 mm
d	200 mm
D	420 mm
B	80 mm
C	80 mm
Angle (°)	30 °
a	49.5 mm
r min.	5 mm
r1 min.	2 mm
2B	160 mm
da min.	210 mm
Da max.	410 mm
ra max.	2 mm
Weight	53.7 Kg
Basic dynamic load rating (C)	770 kN
Basic static load rating (C0)	1310 kN
(Grease) Lubrication Speed	1100 r/min
Bore Type	Cylindrical Bore
Enclosure	Open
Configuration	Duplex
Bore Size	200 mm



IMPORTED BEARING OF AMERICA CORP.

Outside Diameter	420 mm
Width	80 mm
Fillet Radius/Chamfer	5 mm
r1	2 mm
Dynamic Load Rating	770,000 N
Static Load Rating	1,310,000 N
Limiting Speed - Grease	1,100 rpm
Limiting Speed - Oil	1,400 rpm
da1 (min)	222 mm
da2 (min)	210 mm
Da1 (max)	398 mm
Da2 (max)	410 mm
ra (max)	4 mm
ra1 (max)	2 mm