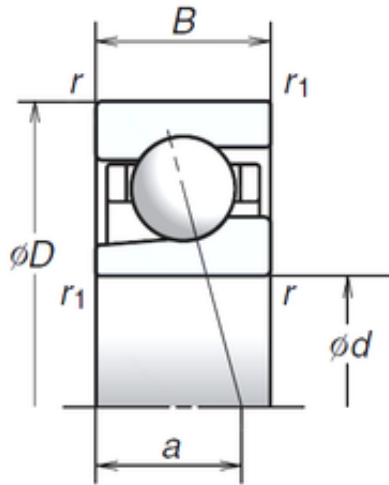




IMPORTED BEARING OF AMERICA CORP.



20 mm x 47 mm x 14 mm 20 mm x 47 mm x 14 mm NSK 20BGR02X angular contact ball bearings

Bearing No. 20BGR02X

Size	20x47x14 mm
Bore Diameter	20 mm
Outer Diameter	47 mm
Width	14 mm
d	20 mm
D	47 mm
B	14 mm
C	14 mm
Angle (°)	15 °
a	11,5 mm
r min.	1 mm
r1 min.	0,6 mm
Weight	0,091 Kg
Basic dynamic load rating (C)	9,7 kN
Basic static load rating (C0)	4,1 kN
(Grease) Lubrication Speed	65 700 r/min
(Oil) Lubrication Speed	89 600 r/min

20BGR02X Bearing 2D drawings and 3D CAD models