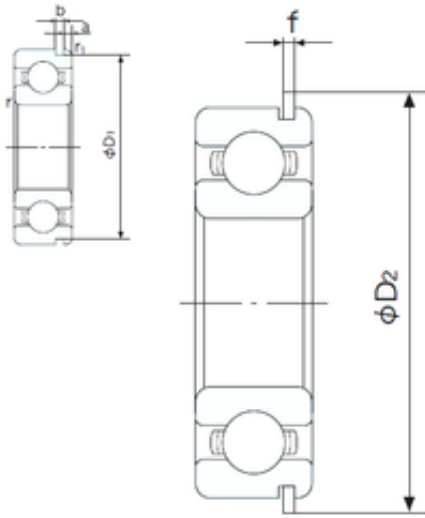




## IMPORTED BEARING OF AMERICA CORP.



25 mm x 47 mm x 12 mm 25 mm x 47 mm x 12 mm NACHI 6005NR deep groove ball bearings

Bearing No. 6005NR

6005NR Bearing 2D drawings and 3D CAD models

Size	25x47x12 mm
Bore Diameter	25 mm
Outer Diameter	47 mm
Width	12 mm
d	25 mm
D	47 mm
B	12 mm
C	12 mm
a	2.06 mm
b	1.35 mm
f	1.12 mm
r min.	0.6 mm
r1 min.	0.5 mm
D1	44.6 mm
D2	52.7 mm
Weight	0.078 Kg
Basic dynamic load rating (C)	10,1 kN
Basic static load rating (C0)	5,85 kN
(Grease) Lubrication Speed	15000 r/min
Category	Single Row Ball Bearings
Inventory	0.0
Manufacturer Name	NACHI
Minimum Buy Quantity	N/A
Weight / Kilogram	0.077
Product Group	B00308



## IMPORTED BEARING OF AMERICA CORP.

Enclosure	Open
Precision Class	ABEC 1   ISO P0
Maximum Capacity / Filling Slot	No
Rolling Element	Ball Bearing
Snap Ring	Yes
Internal Special Features	No
Cage Material	Steel
Internal Clearance	C0-Medium
Inch - Metric	Metric
Long Description	25MM Bore; 47MM Outside Diameter; 12MM Outer Race Width; Open; Ball Bearing; ABEC 1   ISO P0; No Filling Slot; Yes Snap Ring; No Internal Special Features; C0-Medium Internal Clearance; Steel Cage
Other Features	Deep Groove   With Snap Ring
Category	Single Row Ball Bearing
UNSPSC	31171504
Harmonized Tariff Code	8482.10.50.68
Noun	Bearing
Keyword String	Ball
Manufacturer URL	<a href="http://www.nachiamerica.com">http://www.nachiamerica.com</a>
Outer Race Width	0.472 Inch   12 Millimeter
Bore	0.984 Inch   25 Millimeter
Outside Diameter	1.85 Inch   47 Millimeter
Inner Race Width	0 Inch   0 Millimeter
Bore Type	Cylindrical Bore
Configuration	Single Row
Bore Size	25 mm
Width	12 mm



## IMPORTED BEARING OF AMERICA CORP.

Fillet Radius/Chamfer	0.6 mm
r1	0.5 mm
Snap Ring Width	1.1 mm
Snap Ring Outside Diameter	52.7 mm
D1 (max)	44.6 mm
a (max)	2.1 mm
b (min)	1.4 mm
Dynamic Load Rating	10,100 N
Static Load Rating	5,850 N
Limiting Speed - Grease	15,000 rpm
Limiting Speed - Oil	18,000 rpm
Factor fo	14.5
Radial Clearance	0.005 to 0.020 mm
da (min)	29 mm
Da (max)	43 mm
Dx (min)	53.5 mm
ra (max)	0.6 mm
Cy (max)	2.9 mm