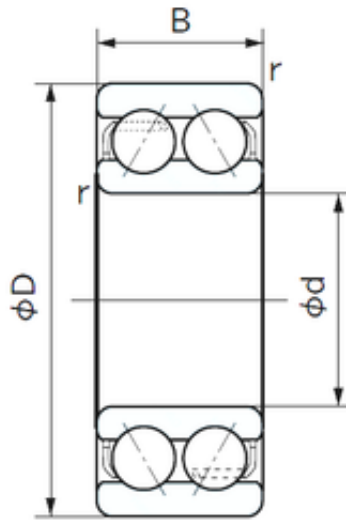




IMPORTED BEARING OF AMERICA CORP.



35 mm x 80 mm x 34.9 mm 35 mm x 80 mm x 34.9 mm NACHI 5307 angular contact ball bearings

Bearing No. 5307

Size	35x80x34.9 mm
Bore Diameter	35 mm
Outer Diameter	80 mm
Width	34.9 mm
d	35 mm
D	80 mm
B	34.9 mm
C	34.9 mm
Angle ()	30 °
r min.	1.5 mm
Weight	0.790 Kg
Basic dynamic load rating (C)	52 kN
Basic static load rating (C0)	37 kN
(Grease) Lubrication Speed	6300 r/min
Category	Angular Contact Ball Bearings
Inventory	5.0
Manufacturer Name	NACHI
Minimum Buy Quantity	N/A
Weight / Kilogram	0.79
Product Group	B00152
Enclosure	Open
Flush Ground	No
Rolling Element	Ball Bearing

5307 Bearing 2D drawings and 3D CAD models



IMPORTED BEARING OF AMERICA CORP.

Number of Rows of Balls	Double Row
Precision Class	ABEC 1 ISO P0
Maximum Capacity / Filling Slot	No
Snap Ring	No
Cage Material	Steel
Contact Angle	20 Degree
Internal Clearance	C0-Medium
Number of Bearings	1 (Single)
Inch - Metric	Metric
Long Description	35MM Bore; 80MM Outside Diameter; 34.9MM Width; Open; No Flush Ground; Ball Bearing; Double Row of Balls; ABEC 1 ISO P0; No Filling Slot; No Snap Ring
Category	Angular Contact Ball Bearing
UNSPSC	31171531
Harmonized Tariff Code	8482.10.50.28
Noun	Bearing
Keyword String	Angular Contact
Manufacturer URL	http://www.nachi.com
Manufacturer Item Number	5307 BNLS
Weight / LBS	1.74
Width	1.374 Inch 34.9 Millimeter
Outside Diameter	3.15 Inch 80 Millimeter
Bore	1.378 Inch 35 Millimeter
Configuration	Double Row
Bore Type	Cylindrical Bore
Bore Size	35 mm
Fillet Radius/Chamfer	1.5 mm
Dynamic Load Rating	52,000 N
Static Load Rating	37,000 N



IMPORTED BEARING OF AMERICA CORP.

Limiting Speed - Grease	6,300 rpm
Limiting Speed - Oil	8,500 rpm
Radial Clearance	0.006 to 0.020 mm
da	44 mm71 mm
Dx	88 mm
ra	1.5 mm
Cy	4.7 mm