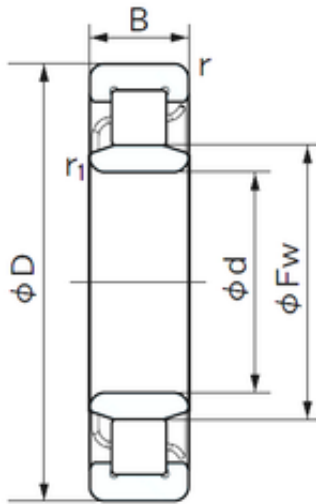




IMPORTED BEARING OF AMERICA CORP.



75 mm x 160 mm x 55 mm 75 mm x 160 mm x 55 mm NACHI NU 2315 E cylindrical roller bearings

Bearing No. NU 2315 E

Size	75x160x55 mm
Bore Diameter	75 mm
Outer Diameter	160 mm
Width	55 mm
d	75 mm
Fw	95 mm
D	160 mm
B	55 mm
r min.	2.1 mm
r1 min.	2.1 mm
Weight	5.30 Kg
Basic dynamic load rating (C)	330 kN
Basic static load rating (C0)	395 kN
(Grease) Lubrication Speed	3400 r/min

NU 2315 E Bearing 2D drawings and 3D CAD models